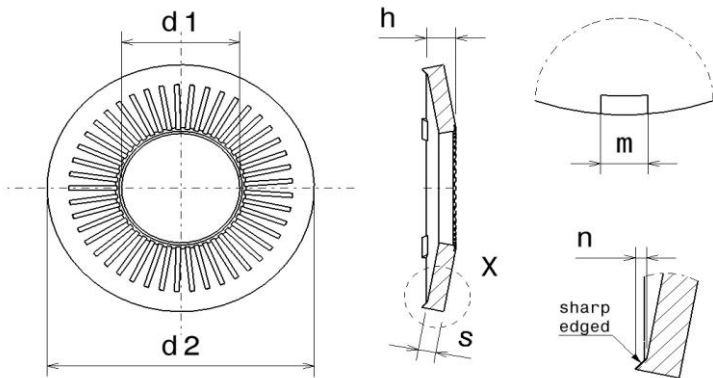


Conical contact washer

Rondella conica contact

Kontaktscheibe



TOOTHED - SN 70093

STAINLESS STEEL AISI 304 EN 10088-2

STAINLESS STEEL AISI 316 EN 10088-2

| DIMENSIONS AND FEATURES | | | | | | | | | | PACKAGING | |
|-------------------------|-------------|-------------|-------------|-------------|-------------|-------------|---------------|--------------|----------------|-------------------------------|---------------------------|
| For screws of | d min.-max. | D min.-max. | s min.-max. | h min.-max. | n min.-max. | m min.-max. | No. of knurls | No. of teeth | Kg/1000 pieces | No. of pcs standard packaging | No. of pcs bulk packaging |
| M 3.0 | 3.10-3.35 | 5.80-6.20 | 0.57-0.63 | 0.80-0.95 | 0.10-0.30 | 0.70-0.90 | 28 | 6 | 0.085 | 2000 | 175000 |
| M 4.0 | 4.10-4.40 | 7.80-8.20 | 0.77-0.83 | 1.00-1.15 | 0.20-0.40 | 1.10-1.30 | 32 | 6 | 0.200 | 2000 | 50000 |
| M 5.0 | 5.10-5.40 | 9.80-10.20 | 0.97-1.03 | 1.25-1.50 | 0.30-0.70 | 1.90-2.10 | 36 | 6 | 0.410 | 1000 | 22000 |
| M 6.0 | 6.10-6.40 | 11.80-12.20 | 1.16-1.24 | 1.50-1.80 | 0.30-0.70 | 2.00-2.20 | 45 | 6 | 0.700 | 1000 | 12000 |
| M 8.0 | 8.20-8.56 | 15.80-16.20 | 1.36-1.44 | 1.95-2.40 | 0.30-0.70 | 2.00-2.20 | 45 | 6 | 1.500 | 1000 | 6500 |
| M 8.0* | 8.20-8.56 | 15.80-16.20 | 1.36-1.44 | 1.95-2.40 | 0.90-1.30 | 2.00-2.20 | 45 | 6 | 1.500 | 1000 | 6500 |
| M 10.0 | 10.20-10.56 | 19.75-20.25 | 1.56-1.64 | 2.15-2.60 | 0.30-0.70 | 2.00-2.20 | 45 | 6 | 2.750 | 1000 | 3500 |
| M 10.0* | 10.20-10.56 | 19.75-20.25 | 1.56-1.64 | 2.15-2.60 | 0.90-1.30 | 2.00-2.20 | 45 | 6 | 2.750 | 1000 | 3500 |
| M 12.0 | 12.40-12.80 | 23.75-24.25 | 1.56-1.64 | 2.15-2.60 | 0.30-0.70 | 2.00-2.20 | 45 | 6 | 3.920 | 500 | 3000 |
| M 12.0* | 12.40-12.80 | 23.75-24.25 | 1.56-1.64 | 2.15-2.60 | 0.90-1.30 | 2.00-2.20 | 45 | 6 | 3.920 | 500 | 3000 |
| M 16.0 | 16.40-16.80 | 31.70-32.30 | 2.44-2.56 | 3.50-3.95 | 0.30-0.70 | 4.50-4.70 | 60 | 6 | 10.950 | 250 | 1000 |
| M 16.0* | 16.40-16.80 | 31.70-32.30 | 2.44-2.56 | 3.50-3.95 | 0.90-1.30 | 4.50-4.70 | 60 | 6 | 10.950 | 250 | 1000 |
| M 20.0 | 20.50-21.00 | 39.70-40.30 | 2.94-3.06 | 4.20-4.65 | 0.40-0.80 | 4.50-4.70 | 60 | 6 | 21.040 | 100 | 400 |
| M 20.0* | 20.50-21.00 | 39.70-40.30 | 2.94-3.06 | 4.20-4.65 | 1.00-1.40 | 4.50-5.50 | 60 | 6 | 21.040 | 100 | 400 |

Dimensions in mm

* Version with higher teeth available just in stainless steel A4

Technical details:

Tightening couples: see table.

Chemical analysis of raw material: see table.

Stainless steel AISI 304 (A2) has a good corrosion resistance. Stainless steel AISI 316 (A4) has a very high acid resistance and it is an antimagnetic material.

Features and specific use:

Spring washer which has:

- a round knurled ring with resistance to loosening on its contact surface with the screw's underhead.

- a series of teeth on the surface in contact with the supporting field, which doesn't allow the rotation of the washer during the tightening.

Recommended for electrical contact