

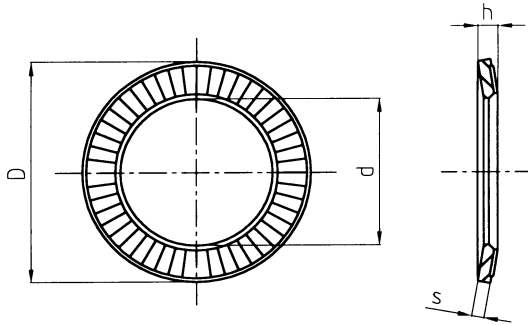
# Conical contact washer

## Rondella conica contact Kontaktscheibe

**CS N FE 25-511 N**

**STAINLESS STEEL AISI 304 EN 10088-2**

**STAINLESS STEEL AISI 316 EN 10088-2**



DIMENSIONS AND FEATURES							PACKAGING		
For screws of	d min.-max.	D min.-max.	s min.-max.	h min.-max.	No. of knurls	Kg/1000 pieces	No. of pcs standard packaging	No. of pcs bulk packaging	No. of pcs micro packaging
M 3.0	3.10-3.35	5.76-6.24	0.47-0.53	0.70-0.90	28	0.071	2000		
M 4.0	4.10-4.40	7.71-8.29	0.77-0.83	1.00-1.20	32	0.195	2000		
M 5.0	5.10-5.40	9.71-10.29	0.96-1.04	1.25-1.50	36	0.405	1000		
M 6.0	6.10-6.40	11.65-12.35	1.16-1.24	1.55-1.85	45	0.790	1000		
M 8.0	8.20-8.56	15.65-16.35	1.36-1.44	1.80-2.20	45	1.500	1000		
M 10.0	10.20-10.56	19.58-20.42	1.55-1.65	2.10-2.60	45	2.710	1000		
M 12.0	12.40-12.83	23.58-24.42	1.75-1.85	2.40-2.90	45	4.701	500		

Dimensions in mm

### Technical details:

Hardness: 265 Hv minimum.

Tightening couples: see table.

Chemical analysis of raw material: see table.

Stainless steel AISI 304 (A2) guarantees a good corrosion resistance.

### Features and specific use:

Stainless steel washer with elasticity that has a round, knurled ring with resistance to loosening on its contact surface with the screw's underhead. In every range of applications where resistance to loosening and elastic stress are required with a small washer diameter.