

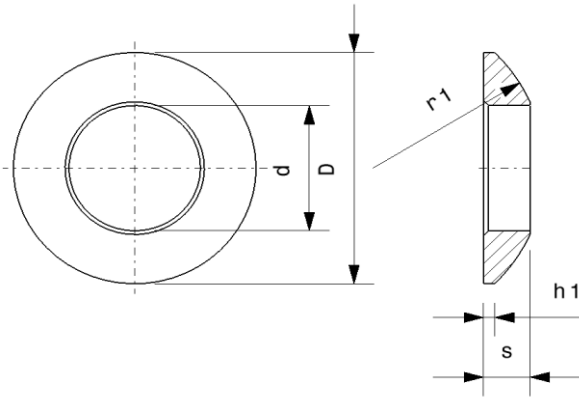
# Spherical washer

Rondella sferica

Kugelscheiben

**DIN 6319 C**

**LOW CARBON STEEL**



DIMENSIONS AND FEATURES								PACKAGING	
For screws of	d min.-max.	D min.-max.	s min.-max.	h1 min.-max.	r1 min.-max.	Static load max. KN	Kg/1000 pieces	No. of pcs standard packaging	No. of pcs bulk packaging
M 6.0	6.40-6.62	11.80-12.20	2.20-2.40	0.60-0.80	8.80-9.20	9	0.95	1.000	
M 8.0	8.40-8.62	16.80-17.20	3.10-3.30	0.50-0.70	11.80-12.20	17	2.6	1.000	
M 10.0	10.50-10.77	20.80-21.20	3.90-4.10	0.70-0.90	14.80-15.20	26	4.9	500	
M 12.0	13.00-13.27	23.80-24.20	4.50-4.70	1.00-1.20	16.80-17.20	38	7.4	250	
M 14.0	15.00-15.27	27.80-28.20	4.90-5.10	1.10-1.30	21.80-22.20	53	10.8	200	
M 16.0	17.00-17.33	29.80-30.20	5.20-5.40	1.20-1.40	21.80-22.20	73	12.7	100	
M 20.0	21.00-21.33	35.70-36.30	6.10-6.50	1.90-2.10	26.80-27.20	117	22.5	50	
M 24.0	25.00-25.33	43.70-44.30	8.00-8.40	2.30-2.50	31.70-32.30	168	44.6	50	
M 30.0	31.00-31.39	55.70-56.30	11.00-11.40	3.50-3.70	40.70-41.30	269	98	20	
M 36.0	37.00-37.39	67.70-68.30	13.80-14.20	4.50-4.70	49.70-50.30	394	190	20	
M 42.0	43.00-43.39	77.70-78.30	16.80-17.20	6.30-6.70	57.70-58.30	542	310	10	
M 48.0	50.00-50.46	91.70-92.30	20.80-21.20	7.80-8.20	66.70-67.30	714	540	3	

Dimensions in mm

**Technical details:**

Carbon steel, case hardened at a depth of 0.2 - 0.4 mm with a surface hardness of 550-650 Hv10.

**Anticorrosion surface covering:**

Burnishing and light oiling.  
Phosphating.  
Other finishings by request.

**Features and specific use:**

Used in combination with the washer DIN 6319 type D, guarantees thanks to their coupling a safe locking function on non-parallel bearing surfaces.