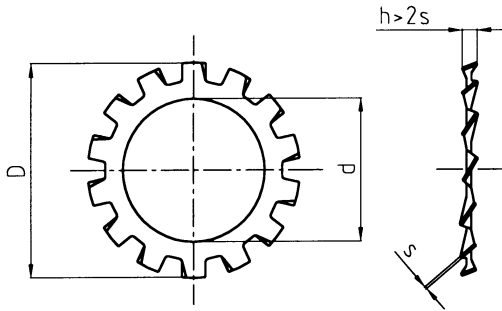


**EXTERNAL TOOTHED DIN 6797 A**
**CARBON STEEL C 60 EN 10132**


DIMENSIONS AND FEATURES						PACKAGING		
For screws of	d min.-max.	D min.-max.	s min.-max.	No. of teeth	Kg/1000 pieces	No. of pcs standard packaging	No. of pcs bulk packaging	No. of pcs micro packaging
M 2.0	2.20-2.34	4.20-4.50	0.27-0.33	6	0.020	5000	275000	1000
M 2.3	2.50-2.64	4.70-5.00	0.36-0.44	6	0.026	5000	200000	1000
M 2.5	2.70-2.84	5.20-5.50	0.36-0.44	6	0.037	5000	170000	1000
M 3.0	3.20-3.38	5.70-6.00	0.36-0.44	6	0.041	2000	160000	500
M 3.5	3.70-3.88	6.64-7.00	0.46-0.54	6	0.071	2000	80000	500
M 4.0	4.30-4.48	7.64-8.00	0.46-0.54	8	0.087	2000	60000	500
M 5.0	5.10-5.28	8.64-9.00	0.46-0.54	8	0.122	1000	50000	200
M 5.0	5.30-5.48	9.64-10.00	0.55-0.65	8	0.175	1000	35000	200
M 6.0	6.40-6.62	10.57-11.00	0.65-0.75	8	0.217	1000	25000	200
M 7.0	7.40-7.62	12.07-12.50	0.75-0.85	8	0.330	1000	16000	200
M 8.0	8.20-8.42	13.57-14.00	0.75-0.85	8	0.400	1000	12000	200
M 8.0	8.40-8.62	14.57-15.00	0.75-0.85	8	0.479	1000	12000	200
M 10.0	10.50-10.77	17.57-18.00	0.85-0.95	9	0.750	1000	6000	100
M 12.0	13.00-13.27	19.98-20.50	0.94-1.06	10	1.000	1000	4000	100
M 14.0	15.00-15.27	23.48-24.00	0.94-1.06	10	1.390	1000	3000	100
M 16.0	17.00-17.27	25.48-26.00	1.14-1.26	12	1.920	500	2000	100
M 18.0	19.00-19.33	29.48-30.00	1.34-1.46	12	3.235	500	1500	
M 20.0	21.00-21.33	32.38-33.00	1.34-1.46	12	4.029	250	1000	
M 22.0	23.00-23.33	35.38-36.00	1.42-1.58	14	4.500	250	950	
M 24.0	25.00-25.33	37.38-38.00	1.42-1.58	14	4.854	250	850	
M 27.0	28.00-28.33	43.38-44.00	1.52-1.68	14	7.350	150	500	
M 30.0	31.00-31.39	47.38-48.00	1.52-1.68	14	9.029	150	400	

Dimensions in mm

**Technical details:**

Hardness: 350 - 425 Hv.  
 Tightening torques: see table.  
 Chemical analysis of raw material: see table.

**Anticorrosion surface treatment:**

Burnishing and light oiling.  
 Electrozinc plating 6-8 cr6 free.  
 Mechanical zinc plating 12 my cr6 free.  
 Other coatings upon customer request.

**Features and specific use:**

Toothed washer for fasteners with limited tightening torques.