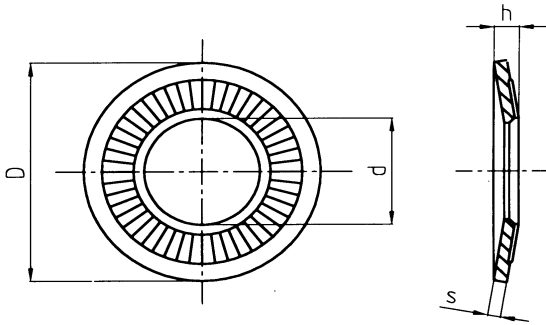


Conical elastic contact washer

Rondella conica contact Kontaktscheibe

CS N FE 25-511 M KOMBI

CARBON STEEL C 60 EN 10132



DIMENSIONS AND FEATURES						PACKAGING		
For screws of	d min.-max.	D min.-max.	s min.-max.	h min.-max.	Kg/1000 pieces	No. of pcs standard packaging	No. of pcs bulk packaging	No. of pcs micro packaging
M 4.0	3.60-3.72	9.71-10.29	0.86-0.94	1.15-1.40	0.450		25000	
M 5.0	4.55-4.67	11.65-12.35	1.06-1.14	1.45-1.80	0.768		15000	
M 6.0	5.50-5.62	13.80-14.20	1.26-1.34	1.75-2.10	1.230		10000	
M 8.0	7.35-7.50	17.80-18.20	1.35-1.45	2.10-2.40	2.205		6000	
M 10.0	9.30-9.55	21.60-22.40	1.55-1.65	2.20-2.70	3.730		3000	

Dimensions in mm

Technical details:

Hardness: 420 - 510 Hv.
 Tightening torques: see table.
 Chemical analysis of raw material: see table.
 Sorted out material to prevent the presence of foreign parts.

Anticorrosion surface treatment:

Dry and clean surface.

Features and specific use:

Washer to be used only for preassembling with metric pitch screws (for sems).