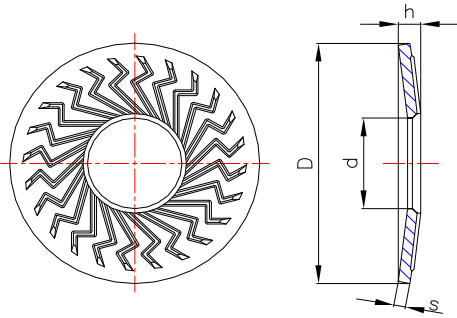


Conical elastic sperrkant washer

Rondella conica sperrkant Sperrkantscheiben

SPERRKANT L

STAINLESS STEEL AISI 316 EN 10088-2



DIMENSIONS AND FEATURES							PACKAGING		
For screws of	d min.-max.	D min.-max.	s min.-max.	h min.-max.	No. of knurls	Kg/1000 pieces	No. of pcs standard packaging	No. of pcs bulk packaging	No. of pcs micro packaging
M 6.0	6.10-6.40	17.68-18.20	1.36-1.44	2.15-2.55	20	2.500	1000	5000	200
M 8.0	8.20-8.56	21.73-22.25	1.84-1.96	2.60-3.00	24	4.600	1000	2500	100
M 10.0	10.20-10.56	26.73-27.25	2.34-2.46	3.20-3.70	24	9.300	500	1400	100
M 12.0	12.40-12.83	31.68-32.30	2.74-2.86	4.10-4.60	24	14.700	250	1000	50

Dimensions in mm

Technical details:

Hardness: 265 Hv minimum.
 Tightening torques: see table.
 Chemical analysis of raw material: see table.
 Stainless steel AISI 316 (A4) has a very high acid resistance and it is an antimagnetic material.

Features and specific use:

Stainless steel washer with elasticity that has a round, knurled ring with resistance to loosening on its contact surface with the screw's underhead. In every field of applications in which high resistance to loosening and elastic stress are required on very large supporting surface and slotted holes.