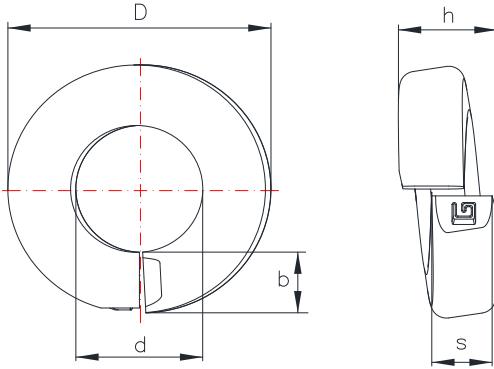


# Single coiled spring washer for railway tracks

**Grower singola per armamento ferroviario  
Oberbau Federringe**

**PLAIN PATTERN SQUARE EDGE**

**SPRING STEEL**



DIMENSIONS AND FEATURES							PACKAGING	
For screws of	d min.-max.	D max.	b min.-max.	s min.-max.	h residual	Kg/1000 pieces	N° of pcs standard packaging	N° of pcs bulk packaging
3/4"	19.85-20.63	39.68	9.22-9.72	9.22-9.72	17.90-19.90	59.0	800	7000
7/8"	23.02-23.81	42.86	9.22-9.72	9.22-9.72	17.90-19.90	65.0	800	6500
1"	26.20-26.98	46.03	9.22-9.72	9.22-9.72	17.90-19.90	71.0	750	6000
1" 1/8	29.37-30.16	49.21	9.22-9.72	9.22-9.72	17.90-19.90	77.4	675	5500
1" 1/4	32.54-33.33	52.38	9.22-9.72	9.22-9.72	17.90-19.90	83.9	550	5000

Dimensions in mm

#### Technical details:

Hardness: 40 - 46 HRC.

#### Anticorrosion surface treatment:

Burnishing and light oiling.  
 White mech. zinc plating 12my Cr6 free.  
 Yellow mech. zinc plating 12my Cr6 free.  
 Delta Protekt® KL 100 6-10 my.  
 Geomet® 321 type A 5-7 my.  
 Hot zinc galvanizing  
 Other treatments on request.

#### Features and specific use:

Spring washers to be used in railway track industry.  
 Each washer is identified with the manufacturer mark "G".